

FCI CONFIDENTIAL

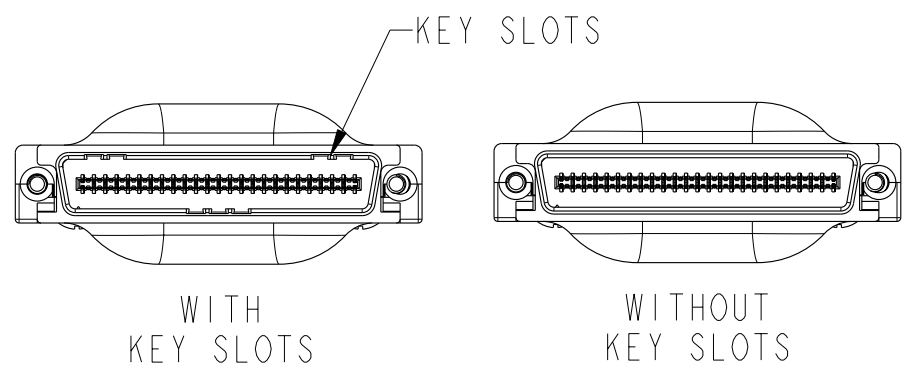
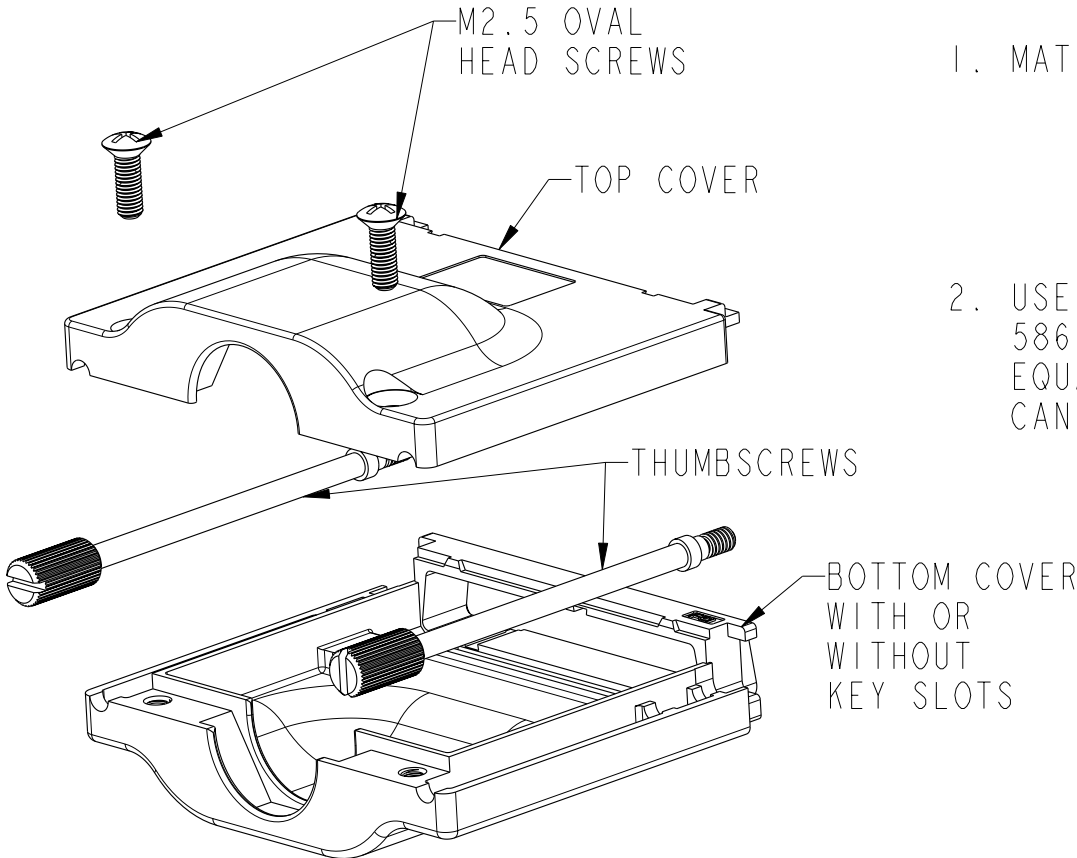


This document is the property of and embodies CONFIDENTIAL and PROPRIETARY information of FCI. No part of the information shown on this document may be used in any way or disclosed to others without the written consent of FCI. Copyright FCI.

PRODUCT NUMBER	DESCRIPTION
10021737-002	COVER ASSEMBLY KIT WITH KEY SLOTS
10021737-012	COVER ASSEMBLY KIT WITHOUT KEY SLOTS

NOTES:

- MATERIAL:
DIE CAST SHELLS: ZINC WITH Ni PLATING OVER COPPER UNDER PLATING.
THUMBSCREWS: STAINLESS STEEL
SCREWS: STAINLESS STEEL
- USED WITH EYEMAX® PLUG 58443 (WITHOUT PCB), 58638 (WITH UNEQUALIZED PCB) OR 10026694 (WITH EQUALIZED PCB). COVER ASSEMBLY AND CONNECTOR CAN ALSO BE PURCHASED TOGETHER IN KIT 10014004.



TOLERANCES UNLESS OTHERWISE SPECIFIED		rev	ecn no	dr	date
LINEAR	0.X	±0.3	D	V05-0505	LP 6/2/025
	0.XX	±0.10	E	M07-0065	MHT 2007-01-25
	0.XXX	±0.050	-	-	-
ANGULAR	0°	±2°	-	-	-

Material	-	Spec ref	-
Mat code	-	surface	-
Heattreat	-	tolerance	ASME Y14.5
Plating/Finish	-	projection	MM
Dr	G.PETERS	08/21/03	size A4
Eng	D.BRANN	08/21/03	Scale 13:10
Chr	D.BRANN	08/21/03	Product family EyeMax (TM)
Appr	D.BRANN	08/21/03	Model Name 10021737-EXP
			Model Revision E
			REL Level Released
FCI	12X COVER ASSEMBLY KIT	dwg no	10021737
	f/ THUMBSCREW STYLE EYEMAX(tm)		Rev. E
Pro/E file	catalog no		CUSTOMER
			sheet 1 of 1

REV F: 2006-04-17